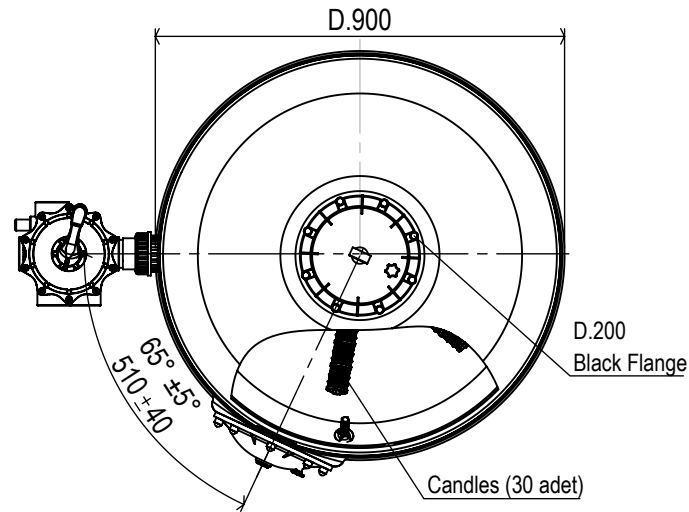
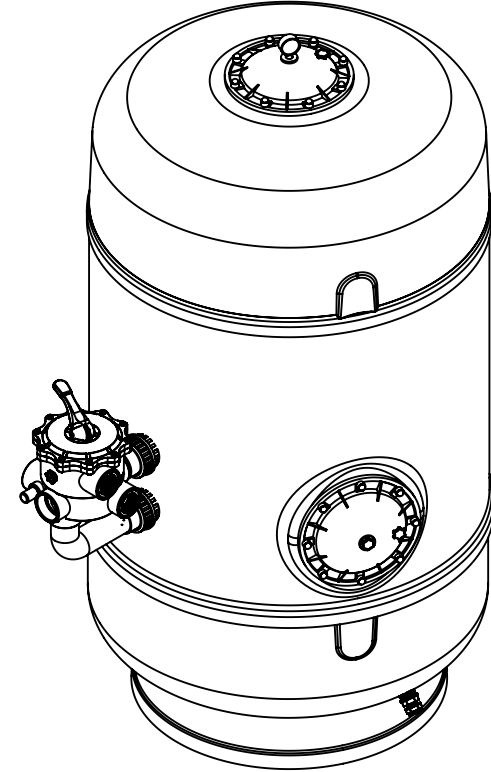
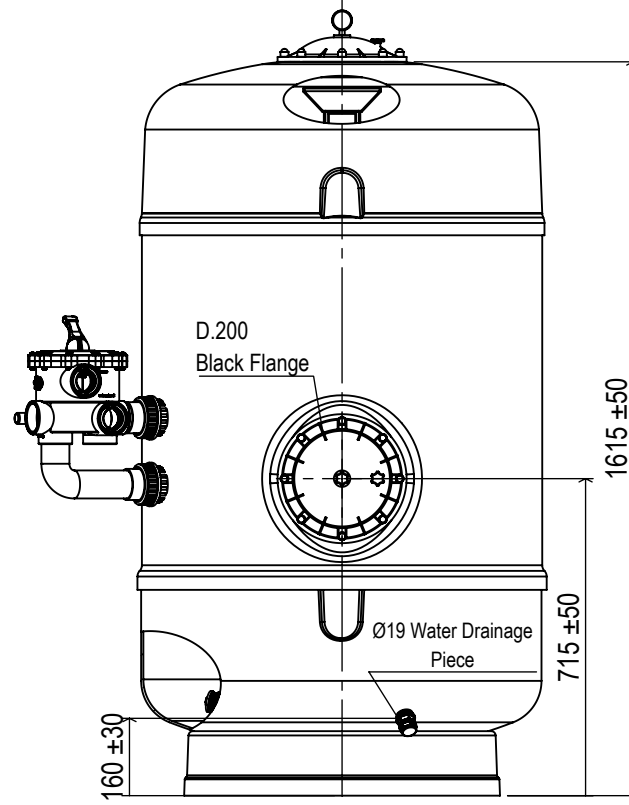
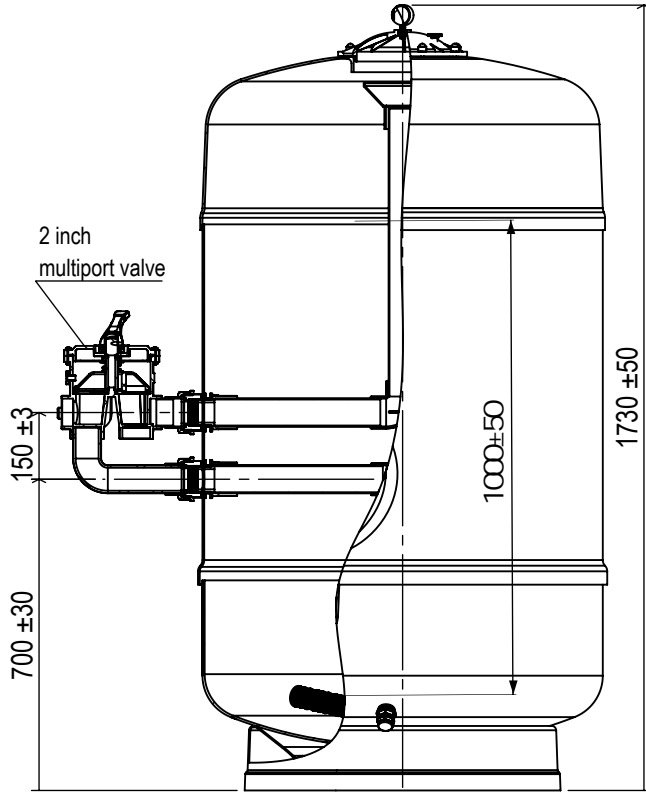


MODEL : FILTRES HB 900	PRODUCT CODE : 021315HB
FILTRATION AREA : 0,64 m <sup>2</sup>	FILTER DIAMETER : 900 mm
VOLUME : 920 L	FILTRATION MEDIA : 0,4 - 0,8 mm
OPERATION PRESSURE : 2,5 kg/cm <sup>2</sup>	TEST PRESSURE : 3,5 kg/cm <sup>2</sup>
FLOW RATE : 32 m <sup>3</sup> /h	FILTRATION RATE : 50 m <sup>3</sup> /h/m <sup>2</sup>
PRODUCT YEAR :	CUSTOMER NAME :
COLOR CODE:	
SIPARIŞ NUMARASI :	



Rev. No / Rev. No	Rev. Tarihi / Rev. Date	Revizyon Notu / Revision Note	Rev.Ad-Soyad / Rev.Name-Surname	İmza / Signature
Revizyon / Revision	Tarihi / Date	Ad-Soyad / Name-Surname	İmza / Signature	Ağırlık (gr) / Weight (gr)
Çizen / Designed By	02.08.2023	MELTEM KILIÇ		Stok Kodu / Stock.No
Kontrol / Checked By		İBRAHİM KAYA		
Onay / Aproved By		İBRAHİM KAYA		
Ölçek / Scale	Parça Adı / Part Name		Form / Form	Malzeme / Metarial
	D.900 HB HAVUZ KUM FİLTRESİ		A4	

